

# MTC-8010W

10.1" Fanless Multi-Touch Computer with Intel Atom® x7-E3950 Processor, 2 GigE LAN, 4 USB, 2 COM, DC 12V



## Features

- 10.1" 1280 x 800 (16:10) WSVGA TFT LED LCD
- 10-point Projected Capacitive Multi-touch Screen
- Intel Atom® x7-E3950 Processor
- Fanless design supports -10°C to 60°C operating temperature
- Easy-access external SSD/HDD Kit
- Supports Panel Mount and VESA Mount (75 x 75)
- IP65 Front Panel Protection
- 2 Mini PCIe for WiFi/4G/3G/LTE/GPRS/UMTS



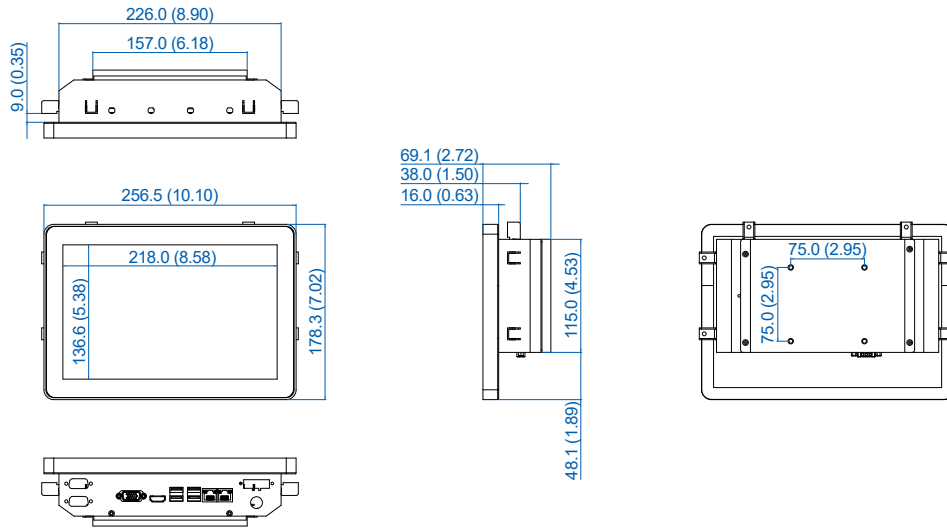
## Specifications

Panel	
Panel Type	WSVGA TFT LED LCD
Size	10.1"
Max. Resolution	1280 x 800
Display Color	262k
Brightness (cd/m <sup>2</sup> )	300
View Angle (H/V)	170/170
Contrast Ratio	1300 : 1
Touch Screen	
Touch Screen Type	10-point Projected Capacitive
Transparency	≥ 91%
Surface Hardness	7H Surface Hardness
Control Interface	USB Type
System	
Processor	Intel Atom® x7-E3950 Processor
Chipset	Intel® SoC (Apollo Lake)
Memory	1 DDR3L 1866MHz SO-DIMM, up to 8GB
Graphics Processor	Intel® HD Graphics 505
I/O Interface	
Serial	2 RS-232/422/485 (DB9 Type)
USB	<ul style="list-style-type: none"> <li>▪ 2 USB 3.0 Type A</li> <li>▪ 2 USB 2.0 Type A</li> </ul>
LED	Power
Display	<ul style="list-style-type: none"> <li>▪ VGA : Up to 1920 x 1440 @60Hz</li> <li>▪ Digital Display : Up to 3840 x 2160 @30Hz</li> </ul>
Expansion	
Mini PCIe	2 Mini PCIe Socket : <ul style="list-style-type: none"> <li>▪ 1 Full-size for PCIe/USB/SIM Socket</li> <li>▪ 1 Full-size for PCIe/USB/SATA</li> </ul>
Storage	
SATA	1 SATA III (6Gbps)
mSATA	1 SATA III (Full Size Mini PCIe, 6Gbps)
Storage Device	1 2.5" SSD/HDD Kit

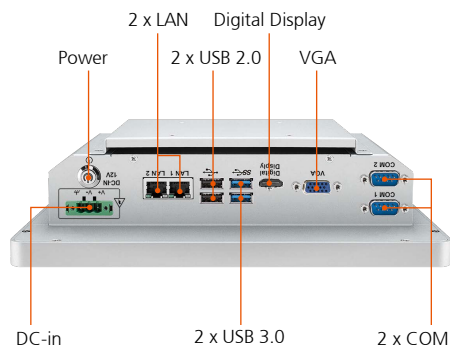
Ethernet	
LAN 1	Intel® I210 GigE LAN, RJ45 Type
LAN 2	Intel® I210 GigE LAN, RJ45 Type
Power	
Power Input	12V DC-in
Power Interface	3-pin Terminal Block (V+/V-/GND)
Others	
TPM	Optional Infineon SLB9665 supports TPM 2.0, LPC Interface
Watchdog Timer	Reset : 1 to 255 sec./min. per step
Smart Management	Wake on LAN, PXE supported
Software Support	
OS	Windows 10, Linux
Mechanical	
Dimensions (W x H x D)	256.5mm x 178.3mm x 69.1mm (10.10" x 7.02" x 2.72")
Weight	1.85 kg (4.08 lb)
Mounting	<ul style="list-style-type: none"> <li>▪ Panel Mount</li> <li>▪ VESA Mount (75 x 75)</li> </ul>
Environment	
Operating Temperature	-10°C to 60°C (14°F to 140°F)
Storage Temperature	-20°C to 60°C (-4°F to 140°F)
Humidity	5% to 95% Humidity, non-condensing
Relative Humidity	95% @55°C
Shock	IEC 60068-2-27 <ul style="list-style-type: none"> <li>▪ 20G, Half-sine, 11ms</li> </ul>
Vibration	IEC 60068-2-64 <ul style="list-style-type: none"> <li>▪ Non-operation : 10Hz to 200Hz, 1Grms, X, Y, Z, 30 mins each Axis</li> </ul>
EMC	CE, FCC

# Dimensions

Unit : mm/ inch



# Bottom I/O



# Order Information

<b>MTC-8010W-3950</b>	MTC-8010W, Intel Atom® x7-E3950, 2 GigE LAN, 2 COM, DC 12V
-----------------------	--

## Accessories

<b>DDR3L 8G</b>	Certified DDR3L 8GB 1866MHz RAM
<b>DDR3L 4G</b>	Certified DDR3L 4GB 1866MHz RAM
<b>PWA-100W-12V</b>	100W, 12V, 85V AC to 264V AC Power Adapter with 3-pin Terminal Block
<b>4G Module</b>	Mini PCIe 4G/GPS Module with Antenna
<b>WiFi &amp; Bluetooth</b>	WiFi & Bluetooth Module with Antenna